

# ALED4T105N USA



Specification grade area lights available in IES Type IV distributions. Suited for mounting on the sides of buildings and walls, and for illuminating the perimeter of parking areas. Patent pending management system. 5 Year Warranty.

Color: Bronze

Weight: 32.0 lbs

**Project:**

**Type:**

**Prepared By:**

**Date:**

## Driver Info

Type:	Constant Current
120V:	0.89A
208V:	0.58A
240V:	0.50A
277V:	0.44A
Input Watts:	108W
Efficiency:	97%

## LED Info

Watts:	105W
Color Temp:	4000K
Color Accuracy:	72 CRI
L70 Lifespan:	100000
Lumens:	13204
Efficacy:	122 LPW

## Technical Specifications

### Listings

#### UL Listing:

Suitable for wet locations.

#### DLC Listed:

This product is on the Design Lights Consortium (DLC) Qualified Products List and is eligible for rebates from DLC Member Utilities.

DLC Product Code: P0000177H

#### IESNA LM-79 & LM-80 Testing:

RAB LED luminaires have been tested by an independent laboratory in accordance with IESNA LM-79 and LM-80, and have been received the Department of Energy "Lighting Facts" label.

#### Dark Sky Approved:

The International Dark Sky Association has approved this product as a full cutoff, fully shielded luminaire.

### LED Characteristics

#### Lifespan:

100,000-hour LED lifespan based on IES LM-80 results and TM-21 calculations.

#### LEDs:

Multi-chip, high-output, long-life LEDs

#### Color Stability:

LED color temperature is warranted to shift no more than 200K in CCT over a 5 year period.

#### Color Uniformity:

RAB's range of CCT (Correlated Color Temperature) follows the guidelines of the American National Standard for Specifications for the Chromaticity of Solid State Lighting (SSL) Products, ANSI C78.377-2017.

### Construction

#### IES Classification:

The Type IV distribution (also known as a Forward Throw) is especially suited for mounting on the sides of buildings and walls, and for illuminating the perimeter of parking areas. It produces a semiCircular distribution with essentially the same candlepower at lateral angles from 90° to 270°.

#### Effective Projected Area:

EPA = 0.75

#### Maximum Ambient Temperature:

Suitable for use in 40°C (104°F) ambient temperatures

#### Cold Weather Starting:

Minimum starting temperature is -40°C (-40°F)

#### Thermal Management:

Superior thermal management with external "Air-Flow" fins.

#### Lens:

Tempered glass lens.

#### Housing:

Die-cast aluminum housing, lens frame and mounting arm.

#### Mounting:

Universal mounting arm compatible for hole spacing patterns from 1" to 5 1/2" center to center. Round Pole Adaptor plate included as a standard. Easy slide and lock to mount fixture with ease.

#### Reflector:

Specular vacuum-metallized polycarbonate

#### Gaskets:

High-temperature silicone gaskets

#### IP Rating:

Ingress Protection rating of IP66 for dust and water

#### Finish:

Formulated for high-durability and long lasting color.

#### Green Technology:

Mercury and UV free. RoHS compliant components. Polyester powder coat finish formulated without the use of VOC or toxic heavy metals.

#### For use on LEED Buildings:

IDA Dark Sky Approval means that this fixture can be used to achieve LEED Credits for Light Pollution Reduction.

### Electrical

#### Drivers:

Two Drivers, Constant Current, Class 2, 1400mA, 100-277V, 50/60Hz, 0.8A, Power Factor 99%

#### THD:

7.6% at 120V, 16.0% at 277V

#### Surge Protection:

4kV

### Other

#### California Title 24:

See ALED4T105/BL, ALED4T105/PCS, ALED4T105/PCS2, or ALED4T105/PCT for a 2013 California Title 24 compliant product. Any additional component requirements will be listed in the Title 24 section under technical specifications on the product page.

## Technical Specifications (continued)

### Other

#### Compatibility:

Compatible with Round Poles with a diameter of 2.5" to 6"

#### Warranty:

RAB warrants that our LED products will be free from defects in materials and workmanship for a period of five (5) years from the date of delivery to the end user, including coverage of light output, color stability, driver performance and fixture finish.

#### FTC Country of Origin:

This product was assembled in the USA by RAB using imported components.

#### Buy American Act Compliance:

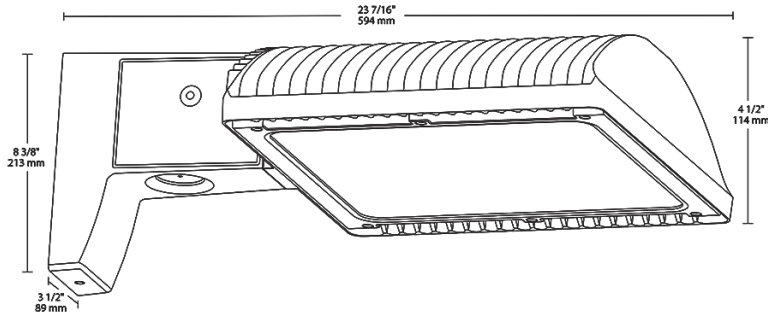
This product complies with the Buy American Act.

### Optical

#### BUG Rating:

B1 U0 G3

## Dimensions



## Features

- 66% energy cost savings vs. HID
- 100,000-hour LED lifespan
- Type IV distribution
- 5-year warranty

## Ordering Matrix

Family	Optics	Wattage	Mounting	Color Temp	Finish	Driver Options	Photocell Options
ALED	4T	105		N			
	2T = Type II	50 = 50W 78 = 78W	Blank = Pole mount	Blank = 5000K (Cool)	Blank = Bronze	Blank = 120-277V /480 = 480V (not available for 150W)	Blank = No Option /PC = 120V Button Photocell (Pole mount models only) /PC2 = 277V Button Photocell (Pole mount models only)
	3T = Type III	105 = 105W	SF = Slipfitter	N = 4000K (Neutral)	RG = Roadway Gray	/BL = Bi-Level	/PCT = 120-277V Twistlock Photocell (Pole mount models only)
	4T = Type IV	125 = 125W 150 = 150W		Y = 3000K (Warm)	W = White	/D10 = 0-10V Dimming	/PCT4 = 480V Twistlock Photocell (Pole mount models only) /PCS = 120V Swivel Photocell /PCS2 = 277V Swivel Photocell /PCS4 = 480V Swivel Photocell /WS2 = Multi-Level Motion Sensor 20 ft. (Only available 0- 10V dimming models) /WS4 = Multi-Level Motion Sensor 40 ft. (Only available 0- 10V dimming models)